



Owner's Manual for Models:

SP-4NXC/T

SP-5NXC/T

SP-6NXC/T



200 New Highway Amityville, New York 11701 • Outside Metro NY: 1-800-645-5516
631-957-8700 • www.specotech.com



**70/25V
Commercial
Speaker
Systems**

Congratulations on your purchase of Speco Technologies' Nexus Contractor™ 70/25 Volt Commercial Speaker Systems!

Speco Technologies' Nexus Contractor™ Commercial Speaker System Line offers premium quality components and strong specification providing a network of sound and paging for the most demanding commercial environments.

The high-end NXC Series features heavy-duty, industrial metal back cans that provides component protection and safety while at the same time enhancing the speakers' full-range bass sound as does the speakers' ported design.

Quick-snap terminal connects provide easy access and optimal angles for connecting speaker wire to the NXC Series as a wattage selector dial makes transformer wattage setting as easy as a quick turn.

Added security loops mounted to the back can of the speakers allow for a support cable run. Provided ceiling support brackets will complete a secure installation that will lend itself to countless years of performance and reliability.

Nexus Contractor™ Commercial Speaker System Specifications:

Item Code: SP-4NXC/T 4" 70/25V Commercial Speaker System

Specifications:

- 4" Polypropylene Coated Woofer with Rubber Surround
- 3/4" PEI Tweeter
- Frequency: 60Hz –20kHz
- 10 Watt RMS/ 30 Watt Max
- Sensitivity: 86 db 1w/1m
- Impedance: 8 ohms
- Transformer:
70/25 Volt Transformer Dial
- Transformer Settings:
10w/ 5w/2.5w/ 1.2w & 8 ohms
- Dimensions: 8" Dia x 8 1/2" D
- Cut Out Dimension: 7" Dia
- Weight: 4.6 lbs.
- Quick-Snap Terminal Connects
- Metal Safety Loop for Securing
- Mounting Brackets Included

Item Code: SP-5NXC/T 5.25" 70/25V Commercial Speaker System

Specifications:

- 5.25" Polypropylene Coated Woofer with Rubber Surround
- 3/4" PEI Tweeter
- Frequency: 50Hz –20kHz
- 60 Watts RMS/ 120 Watts Max
- Sensitivity 89 db 1w/1m
- Impedance: 8 ohms
- Transformer:
70/25 Volt Transformer Dial
- Transformer Settings:
60w/ 30w/ 10w/ 5w/ 2w & 8 ohm
- Dimensions: 9 3/4" Dia x 8 1/8 " D
- Cut Out Dimension: 8 1/2" Dia
- Weight: 6.8 lbs.
- Quick-Snap Terminal Connects
- Metal Safety Loop for Securing
- Mounting Brackets Included

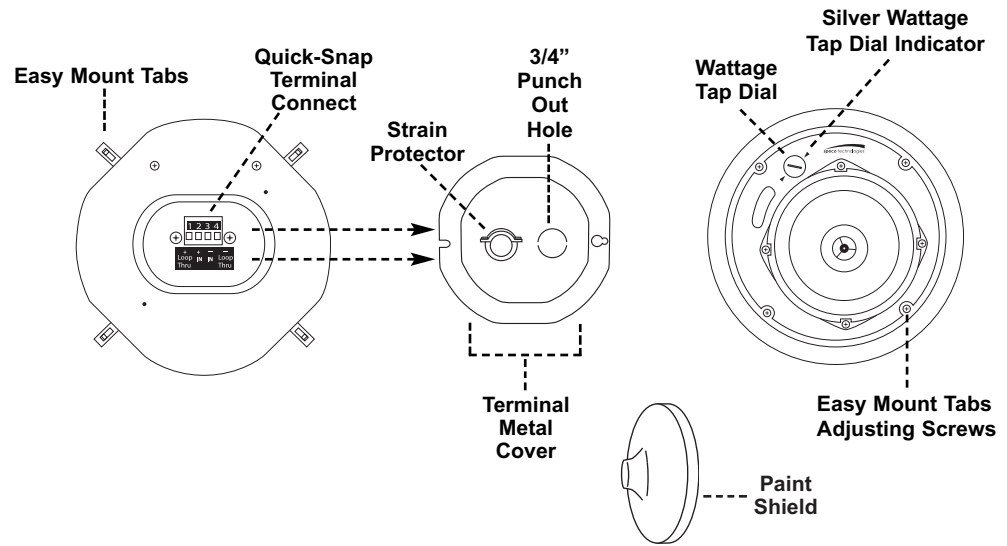
Item Code: SP-6NXC/T 6.5" 70/25V Commercial Speaker System

Specifications:

- 6.5" Polypropylene Coated Woofer with Rubber Surround
- 3/4" PEI Tweeter
- Frequency: 50Hz –20kHz
- 60 Watts RMS/ 140 Watts Max
- Sensitivity: 90 db 1w/m
- Impedance: 8 ohms
- Transformer:
70/25 Volt Transformer Dial
- Transformer Settings:
60w/ 30w/ 10w/ 5w/ 2w & 8 ohm
- Dimensions: 10" Dia x 8 1/8 " D
- Cut Out Dimension: 9" Dia
- Weight: 7.1 lbs.
- Quick-Snap Terminal Connects
- Metal Safety Loop for Securing
- Mounting Brackets Included

Connecting and Mounting Your Speakers:

Please follow these directions for connecting and mounting your Nexus Contractor™ Commercial Speaker System:



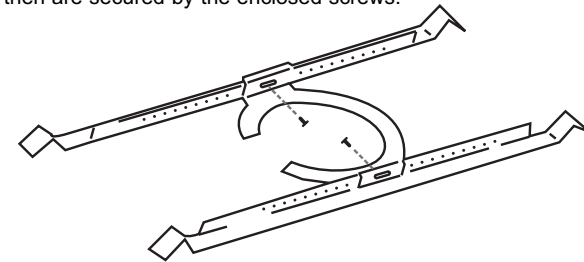
Pre-construction:

Choosing Your Speaker Location and Pre-wiring the Job:

Carefully select areas of the ceiling where there are no obstructions, plumbing, heating/AC apparatus or electrical wiring.

For sheetrock ceilings, use the enclosed C-Bracket as a cut out guide, tracing the inner dimensions of this bracket on your sheetrock ceiling, then proceed to cut out the circle to establish mounting hole.

On drop ceiling installations where the ceiling tiles will not support the weight of the speaker, use the accompanying pre-mounted brackets to support the weight of the speaker. Each bracket has two elongated support brackets and a center C-Bracket that have dog-eared sides that rest on the elongated support brackets and then are secured by the enclosed screws.



After selecting your brackets location, cut holes through the ceiling tile that line up perfectly with the placement and diameter of the C-Brackets.

Upon finalizing speaker location and cutting holes, pre-run speaker wire through ceiling to be available upon speaker installation.

Installation: Wattage Selection

Note: It is important that before making any connections with the speaker terminals on your **NXC Series** that your power source, amplifier and/or receiver, is completely turned off.

First, determine the purpose that your **NXC Series** will be used for by determining whether it will be used in a 70 Volt, 25 Volt or 8 ohms application.

Remove your speaker systems from the carton and remove the paint shield that is over the face of each speaker.

Once you have removed the paint shield and determined that your application is either is for 70 Volt or 25 Volt commercial use, you must determine which wattage tap setting best meets the need of the sound environment your speaker will be utilized in.

Usually, a wattage tap dial sets at “1.2W” – “2.0W” will be utilized for background music in a quiet office setting. The higher wattage taps “5.0W” – “60W” are utilized when a higher volume for the speaker is needed to offset a louder environment. After determining your need, gently turn the wattage tap dial on the faceplate of each speaker with a small flathead screwdriver so that the silver-colored indicator is aligned with the desired wattage tap on the corresponding “70V” or “25V” side of the transformer dial. Your transformer setting is then set and the NXC speaker will intuitively know whether it is receiving a 70 or 25 Volt run.

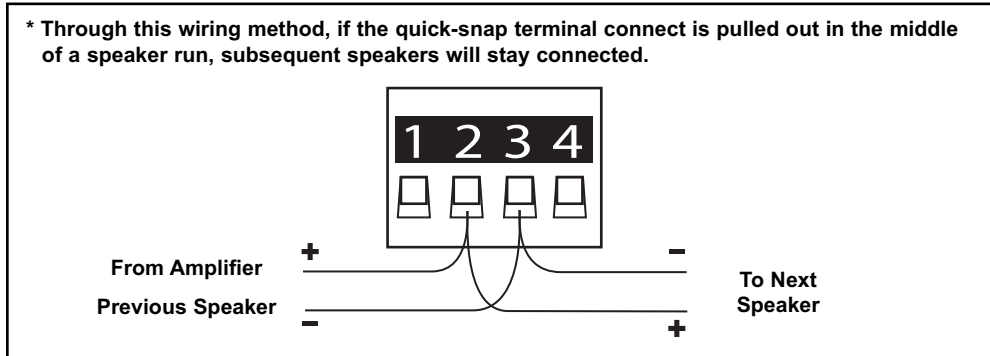
For an 8 ohms speaker requirement, turn dial tap so that the silver indicator aligns with the 8 ohms indication on the dial. This automatically overrides the transformer within the unit.

Connecting Speaker Wire

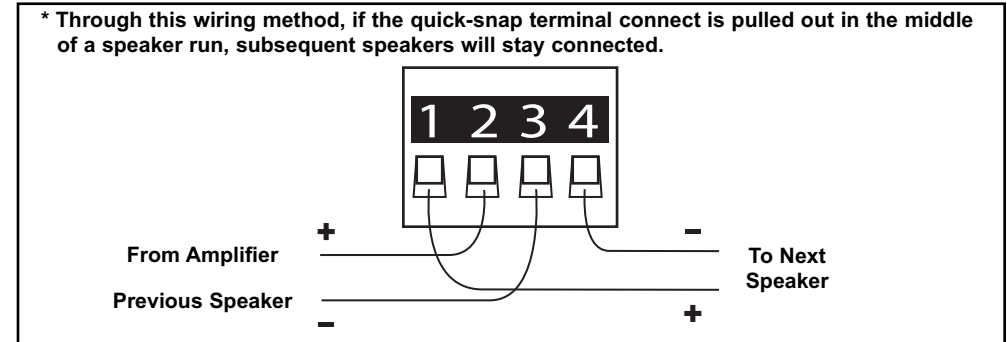
To correctly wire your speaker systems, carefully remove the terminal metal cover protecting the terminals on the back of your speakers by unscrewing the fastened screws in each of the two corners. When the terminal metal cover is removed, loosen the screws on the strain-protector portion of the terminal cover and pass the speaker wire through the strain-protector.

After passing the pre-laid wire through the strain-protector, remove the gray-numbered quick-snap terminal connect from the back of the speaker by slowly pulling it straight out of the terminals.

On desired Parallel Runs, use the positive wire entering from the amplifier to enter and leave through terminal #2. The common wire running back to the amplifier should enter and leave through terminal #3 to wire your run as shown in the following example:



On desired Loop Through Runs, have the positive wire from amplifier enter through terminal #2 and exit through terminal #1, then have common wire running from other speakers in the run enter through terminal #4, eventually heading back to the amplifier through terminal #3. See following diagram:



Once the wires are in, firmly tighten the small screws above each terminal until the wires are firmly secured.

Upon securing, gently snap the quick-snap terminal connects back into place making sure it is lined up properly and the text of the numbers on the quick-snap terminal connects match the same direction as the text of the positive/negative indications on the back of the speaker for proper fitting.

Once the quick-snap terminal connect is in place, re-cover and the terminals section by securing the terminal metal cover to its original location. Upon securing the terminal metal cover, faster the screws on the strain-protector to secure and clamp down on the wires to prevent loosening during installation and post-installation.

A 3/4" diameter punch out hole is also available on the terminal metal cover for installations where solid conduit or flex pipe is needed. A pipe clamp is included as well for this purpose.

In addition, a metal safety loop accompanies the back of each speaker and is recommended for securing a speaker run with a supporting cable.

After connecting each speaker, it is recommended that you quickly check the connections with sound prior to final mounting installation to ensure that everything is installed properly and functioning well.

Installation:

Upon determining you have a strong wire connection with your NXC Series speakers, they must be flush-mounted.

To install in a sheetrock ceiling, turn easy-mount tabs inward to the body of the speaker, carefully place speaker in the diameter of the pre-cut whole and tighten the four mounting screwing on the outer rim of the speaker faceplate until secure. This will cause the easy-mount tabs to clamp down behind the sheetrock and secure the speaker.

On installations with drop ceilings, make sure your provide speaker brackets are firmly secure and assembled in the ceiling, then insert the wired speakers with easy mount tabs by following the directions in the preceding paragraph.

Please make absolutely certain that all speakers are securely mounted and that your selected site of mounting can support the speaker weight indefinitely. **SPECO TECHNOLOGIES ASSUMES NO LIABILITY FOR MIS-INSTALLED OR MISPLACED SPEAKERS.**

Painting:

If the need to paint your speaker is present, separately paint the speaker grilles letting thoroughly dry, and use the paint guard shield to protect the face of the speaker while painting the speakers' flush-mounted rim.

Upon securing your speaker systems, replace the grilles back on the faceplate and you are finished to enjoy your high-quality Nexus Contractor™ Series speakers.

Warranty:

Speco Technologies offers a limited 15-year warranty on their indoor speakers. Please reference the enclosed warranty card for complete details of warranty.



Speco Technologies
200 New Highway
Amityville, New York 11701
631-957-8700
www.specotech.com

NOTES

Speco Technologies' Top Selling Commercial Items



30 or 60 Watt 4 Zone Amplifiers with AM/FM Tuner and CD Player
Item Codes: P-30FACD, P-60FACD
(Also available in cassette version)



15, 30, 60, 120 Watt RMS Contractor Series Amplifiers
Item Codes: PBM-15, PBM-30, PBM-60 or PBM-120



70/25V MA Series ABS Plastic Enclosure Speakers
Item Codes: SP-5MA/T, SP-6MA/T



70/25V Commercial Speakers
Item Codes: G86TG, G86TCG (with Volume Control)



70/25V 30 Watt Weatherproof Horn
Item Code: SPC-30RT



70/25 5.25" Outdoor Speakers
Item Codes: SP-5AWD/T (Black), SP-5AWD/T-W (White)
Available in 6.5" also



Desktop MIC with XLR Connector
Item Code: MHL-5S



70/25V Rock Speakers
Item Code: SP-RK65CB/T (Brown), SP-RK65CG/T (Granite)